

2001

SUBURBAN

The best Suburban yet.



1-800-950-CHEV
www.chevrolet.com

SPECIFICATIONS/MODELS

ENGINES

Vortec 5300 SFI* V8
285 HP @ 5200 RPM
325 lb-ft @ 4000 RPM (Torque)
(Standard on 1500 series)

Vortec 6000 SFI* V8
320 HP @ 5000 RPM
360 lb-ft @ 4000 RPM (Torque)
(Standard on 2500 series)

Vortec 8100 SFI* V8
340 HP @ 4200 PRM
455 lb-ft @ 3200 RPM (Torque)
(Optional)

*Sequential Fuel Injection

FUEL ECONOMY[†]

City	14
Highway	18

[†]EPA estimated mpg for 1500 2WD models

STANDARD CAPACITIES

Payload (lbs) ⁴	1,886–3,153
Cargo Volume (cu ft)	138.4
Towing (lbs) ⁵	7,800–12,000
GVWR (lbs) ⁶	7,000–8,600
Fuel Tank Capacity (gal)	32.5–38.5
Seating (#)	3–9

AVAILABLE MODELS

½-ton 2WD
½-ton 4WD
¾-ton 2WD
¾-ton 4WD

AVAILABLE TRIM LEVELS

Base
LS
LT



Shown: Suburban LT in Onyx Black with some available equipment.



Shown: Suburban LT interior with leather seating surfaces and some available equipment.

In the past 66 years, Chevy™ Suburban® has come a very long way. With a heritage as rich as the American West, Suburban is the fullsize utility vehicle that continues to meet the needs of American families. More comfortable, more capable, and more confident than any previous generation model. With a new available Vortec™ 8100 V8 engine—the most powerful engine in its class¹—a spacious interior, a smooth ride, and outstanding towing and hauling capabilities, this is the best Suburban yet. Chevy Suburban. The tradition continues from Chevy Trucks—still the most dependable, longest-lasting trucks on the road.²

AVAILABLE EXTERIOR COLORS³



LIGHT PEWTER
METALLIC



MEDIUM
CHARCOAL
GRAY METALLIC



INDIGO BLUE
METALLIC



ONYX
BLACK



FOREST
GREEN
METALLIC



SUMMIT
WHITE



SUNSET GOLD
METALLIC



FIRE RED
METALLIC



VICTORY RED

¹Based on 2000 competitive information. Excludes other GM® divisions. ²Dependability based on longevity: 1981–1999 full-line light duty truck company registrations. Excludes other GM divisions. ³Colors may not be available on all models. ⁴Maximum payload capacity includes weight of driver, passengers, optional equipment, and cargo. ⁵Maximum trailering ratings are calculated assuming standard-equipped base vehicle plus driver. ⁶When properly equipped; includes weight of vehicle, passengers, cargo, and equipment.

SUBURBAN



Shown: Suburban LT in Fire Red Metallic with some available equipment.

SELECTED STANDARD/AVAILABLE EQUIPMENT				STANDARD EQUIPMENT ON ALL MODELS	
	Base	LS	LT		
INTERIOR				Mechanical	
Air Conditioning				<ul style="list-style-type: none"> ■ Air Cleaner—High capacity only on ¾-ton ■ Heavy Duty 600 cca Battery ■ Stainless Steel Exhaust System ■ Seven-Wire Trailing Harness ■ Autotrac® Transfer Case (4WD) ■ Power-Assisted Recirculating Ball Speed-Sensitive Steering 	
— Front and rear	A	S	S		
— Electronic climate control	—	—	S		
Cargo Net—Rear	—	S	S		
Climate Package—Includes deep-tinted glass, front air conditioning, cruise control, rear-window defogger	A	S	S		
Convenience Package—Includes HomeLink® transmitter, driver-side self-dimming mirror, and carpeted floor mats	—	A	S		
Cruise Control—With telltale in instrument panel cluster	A	S	S	Interior	
Leather-Wrapped Steering Wheel	—	S	S	<ul style="list-style-type: none"> ■ Assist Handles ■ Cup Holders ■ Programmable Power Door Locks ■ Driver Message Center ■ PASSLock® II Theft-Deterrent System ■ Power Ports—Dual front, single cargo area ■ TILT-WHEEL™ Steering Column ■ Telltale Warnings—Message center ■ Warning tone—For headlamps, key-in-ignition, safety belt, and turn signal 	
Power Windows—With driver lockout switch	—	S	S		
Rear Seat Audio Controls	—	A	S		
Remote Keyless Entry	—	S	S		
Solar-Ray® Deep-Tinted Glass	A	S	S		
Sound Systems				Exterior	
— AM/FM stereo with cassette player	A	—	—	<ul style="list-style-type: none"> ■ Air Dam—Dark Argent ■ Body Panels—Two-sided galvanized steel ■ Chrome Front Bumper ■ Chrome Rear Bumper ■ Spare Tire—Underbody, fullsize with winch-type carrier and lock ■ Wipers—Intermittent 	
— AM/FM stereo with CD player, nine speakers including subwoofer	—	S	—		
— AM/FM stereo with dual playback cassette and CD player, nine speakers including subwoofer	—	—	S		
EXTERIOR				Manufacturer's Suggested Retail Price⁹	
Appearance Package—Includes chrome deluxe grille, Spectra Gray body-side moldings, and luggage carrier	A	—	—		
Assist Steps—Side-mounted	—	A	S	2WD	4WD
Defogger—Rear-window, electric	A	S	S	■ Base ½-ton Series	\$26,656 \$29,572
Deluxe Chrome Grille	A	S	S	■ Base ¾-ton Series	\$28,515 \$31,515
Liftgate—Rear with washer/wiper	—	S	S	■ LS ½-ton Series	\$34,079 \$36,995
Foglamps	—	A	S	■ LS ¾-ton Series	\$35,938 \$38,938
Mirrors—Electric, heated, with ground illumination and driver-side dimming feature	—	A	S	■ LT ½-ton Series	\$38,428 \$41,344
Recovery Hooks—Two front (standard on 4WD models)	A	A	A	■ LT ¾-ton Series	\$39,851 \$42,851
Sunroof—Power	—	A	A		
MECHANICAL					
Engine Block Heater	A	A	A		
Skid Plate Package (4WD)—Includes oil pan/differential case and transfer case shields	A	A	A		
Snow Plow Prep Package 4WD only (2500 models)	A	A	—		
Traction Package (2WD only)—Includes Electronic Traction Assist, locking differential and recovery hooks	A	A	A		
Trailing Package—With seven-pin wiring connector	A	A	A		
Vortec 8100 V8 SFI Engine—(2500 models only)	—	A	A		
SAFETY					
Air Bags—Driver and right-front passenger, front and side-impact ⁷	S	S	S		
Child Security Door Locks	S	S	S		
Daytime Running Lamps	S	S	S		
Four-Wheel Antilock Disc Brakes	S	S	S		
OnStar ⁸	—	A	S		
Side-Impact Door Beams	S	S	S		
Key: S = Standard A = Available — = Not Available					



⁷Always use safety belts and proper child restraints, even with air bags. Children are safer when properly secured in a rear seat. See the owner's manual for more safety information. ⁸Service contract required. Services will vary depending on plan. For more information, call 1-800-ONSTAR-7. ⁹Suggested Retail Prices for GM vehicles as of July 12, 2000. Tax, title, license, registration, and optional equipment are extra.

GM reserves the right to make changes, at any time and without notice, in prices, colors, materials, equipment, specifications, models, and availability.



CHEVY SUBURBAN

BRAND IDENTITY,
NEW FOR 2001

2001 CHEVROLET PRODUCT INFORMATION GUIDE



BRAND IDENTITY

Suburban is the full-size sport utility that continues to meet the needs of the American family. For 66 years, the Suburban has set the standard for the full-size sport utility segment. The 2001 Suburban continues this trend with the Vortec family of V8 engines providing the horsepower needed for segment leading towing and hauling capabilities.

TABLE OF CONTENTS

Axles	7
Affinity Relationships	11
Brakes	8
Brand Identity	1
Capacities and Weights	10
Chevrolet Owner Protection Programs	12
Competition	2
Customer Profile	2
Dimensions	9
Engines	5
Feature Availability	2
Four-Wheel-Drive System	7
Glossary (See Glossary Tab)	
History	11
International (See International Tab)	
Models	2
Model Designations	2
New for 2001	1
OnStar	11
Photography (See inside front and back tab covers)	
Steering	8
Suspension	7
Technical Product Information	10
Transmissions	6
Trailering	10
Wheels and Tires	8

NEW FOR 2001

EXTERIOR

- Forest Green Metallic and Redfire Metallic are new colors. Dark Copper Metallic and Dark Carmine Red Metallic are cancelled.
- All exterior colors are available on LT models

- All Two-Tone color combinations discontinued
- All exterior colors available on LT
- Optional Z71 Package available on LS 4x4 models. Included in the Z71 Package are:
 - tube side-steps, unique lower molding and wheel flares with extensions
 - color-keyed grille, bumpers, door handles and mirrors
 - unique luggage carrier that includes lights and a roller to assist in loading
 - unique front foglamps
 - Z71 badging
 - specifically-tuned shock absorbers and 17-inch wheels and tires
 - OnStar Safety and Security System*

*One-year OnStar Safety and Security service contract included as standard on Suburban LS equipped with the Z71 Package. Call 1-800-ONSTAR-7 for system limitations and details.

INTERIOR

- Cup holders for the 40/20/40 front bench seat have been removed from the instrument panel and added to the front of the center seat cushion
- Tan/Neutral vinyl, cloth and leather replaces Medium Oak/Light Oak vinyl, cloth and leather interior trim

FUNCTIONAL

- Recommended oil change interval increased to up to 10,000 miles from up to 7,500 miles*
- The Vortec 6000 V8 engine receives aluminum cylinder heads and new camshaft design, with an increased torque rating of 360 @ 4000 rpm and a horsepower rating of 300 @ 4400 rpm
- All-new Vortec 8100 V8 engine
- Standard Firm Ride (Z85) Suspension on 2500 models

*Maintenance needs vary with different uses and driving conditions. See the Owner's Manual for more information.



CHEVY SUBURBAN

MODELS, MODEL DESIGNATIONS,
CUSTOMER PROFILE, COMPETITION,
FEATURE AVAILABILITY

2001 CHEVROLET PRODUCT INFORMATION GUIDE

MODELS

- Suburban Base (two- and four-wheel drive)
- Suburban LS (two- and four-wheel drive)
- Suburban LT (two- and four-wheel drive)

MODEL DESIGNATIONS

- 1500 Series
- 2500 Series

CUSTOMER PROFILE

Suburban is the “right size” for today’s active families. The demanding full-size sport utility buyer expects comfort, capability, towing capacity and flexibility. All traits that Suburban delivers.

BUYER DEMOGRAPHICS

Median age:	44 Years
Median household income:	\$100,000
Purchaser (male/female):	60%/40%
Children in household:	74%
College graduates:	56%

COMPETITION

- Ford Excursion

FEATURE AVAILABILITY

INTERIOR FEATURES	BASE	LS	LT
Air bags – driver and right front-passenger ¹	S	S	S
Air bags – driver and right front-passenger side-impact ¹	S	S	S
Air conditioning with CFC-free refrigerant (front and rear for LS and LT)	O ²	S	S
Cargo net – rear	NA	S	S
Cargo shade – rear	NA	S	S
Child seat top-tether anchors on the second- and third-row seats	S	S	S
Climate control – electronic (deleted with sunroof)	NA	NA	S
Cruise control – with resume speed	O ³	S	S
Cup holders, dual front and dual rear-quarter	S	S	S
Defogger – electric, rear-window	O ²	S	S
– electric, rear-window with wiper/washer (with liftglass/liftgate)	NA	S	S
Dome light with delayed entry	S	S	S
Door locks – power, with lockout provision and cargo-area switch	S	S	S
Driver Message Center	S	S	S
Floor covering – black, full-vinyl	S	NA	NA
– color-keyed carpeting with vinyl floor mats	NA	S	NA
– color-keyed carpeting with carpeted floor mats	NA	O ⁴	S
Glass – deep-tinted	O ²	S	S
Headliner – full-length, color-keyed	S	S	S
Heat ducts – rear-seat	O ²	S	S
HomeLink transmitter	NA	O ⁴	S
Instrumentation – trip odometer, engine oil pressure, voltmeter, engine temperature and hour meter	S	S	S
Illuminated entry	S	S	S
OnStar system ⁵	NA	O ⁴	S
Passenger assist handles	S	S	S
Power windows with driver’s Express-Down feature and driver lockout feature	NA	S	S
Power outlets – dual auxiliary front and single cargo area	S	S	S
Rearview mirror – self-dimming with 8-point compass and dual temperature display	NA	S	S



CHEVY SUBURBAN

FEATURE AVAILABILITY

2001 CHEVROLET PRODUCT INFORMATION GUIDE

INTERIOR FEATURES (CONT.)	BASE	LS	LT
Seating, front-row – 40/20/40 vinyl split-bench	S	NA	NA
– 40/20/40 Custom Cloth split-bench	NA	S	NA
– front bucket, 6-way power with Custom Cloth	NA	O	NA
– front bucket, 6-way power with leather seating surfaces	NA	O	NA
– heated front bucket with leather seating surfaces	NA	NA	S
Seating, second-row – 60/40 split-bench	O	S	S
– dual buckets (req. front buckets and opt. leather seating surfaces)	NA	O	O
Seating, third-row – bench (requires second-row seating)	O	S	S
Steering column – Tilt-Wheel™	S	S	S
Steering wheel – leather-wrapped	NA	S	S
Sunroof – power, sliding (includes HomeLink and deletes rear climate controls)	NA	O	O
Sunshades – cloth with LH storage clip and RH vanity mirror	S	NA	NA
– cloth with storage pocket, illuminated vanity mirrors, extenders and auxiliary shade	NA	S	S

1 Always use safety belts and proper child restraints, even with air bags. Children are safer when properly secured in a rear seat. Front-seat side-impact air bags help reduce the risk of certain injuries to front-seat occupants in side impacts. See the Owner's Manual for more safety information. 2 Included with the Climate Package only. 3 Included with the Climate and Traction Packages only. 4 Included with the Convenience Package only. 5 One-year OnStar Safety and Security service contract standard on Suburban LT. Call 1-800-ONSTAR-7 for system limitations and details.

SOUND SYSTEMS	BASE	LS	LT
NOTE: All sound systems feature an Electronically Tuned Receiver (ETR) and include digital clock and seek-scan.			
AM/FM stereo	S	NA	NA
AM/FM stereo with cassette player	O	NA	NA
AM/FM stereo with auto tone control (ATC), compact disc player and 9 speakers, including subwoofer	NA	S	NA
AM/FM stereo with auto tone control (ATC), dual playback cassette and compact disc players, and 9 speakers, including subwoofer	NA	O ¹	S
Rear-seat audio controls	NA	O ¹	S

1 Requires front bucket seating.

EXTERIOR FEATURES	BASE	LS	LT
Air dam – Dark Argent	S	S	S
Appearance Package – chrome grille, body-side moldings and luggage carrier	O	S	S
Assist steps – side-mounted	NA	O	S
Bumper, front – chrome with Spectra Gray cover	S	S	NA
– chrome with color-keyed top pad (certain exterior colors)	NA	NA	S
Bumper, rear – chrome with matte black step pad	S	S	S
Daytime Running Lamps with Automatic Exterior Lamp Control	S	S	S
Door(s), rear – liftgate with liftglass	NA	O	O
– panel doors	S	S	S
Foglamps – front	NA	O	S
Glass – deep-tinted	O ¹	S	S
Luggage carrier – roof-mounted	O ²	S	S
Mirrors – dual, foldaway	S	S	S
– dual, power remote, heated, with ground illumination	NA	S	S
– driver-side self-dimming	NA	O ³	S
Recovery hooks – (2), front (standard on 4x4 models)	O ⁴	O ⁴	O ⁴
Wheel flares – (standard on 2500 models)	O	O	O
Wheels – 16-inch x 6.5-inch	S	S	S
– silver-painted with chrome center cap	S	NA	NA
– machined cast-aluminum (1500 Series only)	NA	S	S
– polished forged-aluminum (2500 Series only)	NA	S	S



CHEVY SUBURBAN

FEATURE AVAILABILITY

2001 CHEVROLET PRODUCT INFORMATION GUIDE

EXTERIOR FEATURES (CONT.)

	BASE	LS	LT
Windshield wipers – intermittent, variable	S	S	S
NEW Z71 Package – with tube side-steps; unique lower molding; unique luggage carrier; wheel flare moldings with extensions; color-keyed grille, bumpers, door handles, and mirrors; Z71 badging; specifically-tuned shock absorbers; unique front foglamps; 17-inch wheels and tires; and OnStar (4x4 1500 models only)	NA	O	NA

1 Included with the Climate Package only. 2 Included with the Appearance Package only. 3 Included with the Convenience Package only. 4 Included only with the Traction Package.

COLOR AND TRIM

Exterior Colors:

- Onyx Black
- Indigo Blue Metallic
- Victory Red
- Sunset Gold Metallic
- Summit White
- Medium Charcoal Gray Metallic
- Forest Green Metallic **NEW**
- Light Pewter Metallic
- Redfire Metallic **NEW**

Interior Fabric and Colors:

- Graphite/Medium Gray Vinyl **NEW**
- Tan/Neutral Vinyl **NEW**
- Graphite/Medium Gray Custom Cloth **NEW**
- Tan/Neutral Custom Cloth **NEW**
- Light Gray/Neutral Custom Cloth
- Graphite/Medium Gray Custom Leather seating surfaces **NEW**
- Tan/Neutral Custom Leather seating surfaces **NEW**
- Light Gray/Neutral Custom Leather seating surfaces

NOTE: Z71 colors limited to Onyx Black, Summit White, Forest Green and Light Pewter.

FUNCTIONAL FEATURES

	BASE	LS	LT
Air cleaner – high-capacity (1500/2500 Series)	O/S	O/S	O/S
Brakes – power, 4-wheel disc with antilock (ABS)	S	S	S
Differential – rear, locking	O	O	O
Engine – Vortec 5300 V8 SFI (1500 Series)	S	S	S
– Vortec 6000 V8 SFI (2500 Series)	S	S	S
– NEW Vortec 8100 V8 SFI (2500 Series)	NA	O	O
Engine block heater	O	O	O
Engine oil cooler (2500 Series)	S	S	S
Exhaust system – aluminized stainless steel from converter back	S	S	S
PASSlock® II theft-deterrent system	S	S	S
Remote Keyless Entry system with content theft alarm	NA	S	S
Skid Plate Package – oil pan/differential case and transfer case shields (4x4 models only)	O	O	O
Steering – power, recirculating ball	S	S	S
– speed-sensitive (4x4 1500 models)	S	S	S
Suspension – Smooth Ride	S	S	NA
– Premium Ride (1500 Series only)	NA	O	S
– Firm Ride (2500 Series only)	S	S	S
– Autoride	NA	O ¹	O
Traction Package – Electronic Traction Assist, cruise control, locking differential and front recovery hooks (2WD models only)	O	O	O
Transfer case – Autotrac active transfer case (4x4 models)	S	S	S
Transmission – 4-speed electronically controlled automatic	S	S	S
Transmission oil cooler – auxiliary (1500/2500 Series)	O/S	O/S	O/S
Wiring harness – trailering	S	S	S

1 Requires the Vortec 8100 V8 engine.



CHEVY SUBURBAN

FEATURE AVAILABILITY,
ENGINES

2001 CHEVROLET PRODUCT INFORMATION GUIDE

SAFETY AND SECURITY FEATURES	BASE	LS	LT
Air bags – driver and right front-passenger ¹	S	S	S
Air bags – driver and right front-passenger side-impact ¹	S	S	S
Antilock brake system (ABS)	S	S	S
Brake/transmission shift interlock	S	S	S
Child seat top-tether anchors on the second- and third-row seats	S	S	S
Child security rear-door locks	S	S	S
Daytime Running Lamps with Automatic Exterior Lamp Control	S	S	S
Head restraints – outboard, for all rows	S	S	S
Front and rear crush zones	S	S	S
OnStar system ²	NA	O ³	S
PASSlock® II theft-deterrent system	S	S	S
Remote Keyless Entry	NA	S	S
Safety belts – seat mounted for front- and third-row outboard seating positions	S	S	S
Steel safety cage – reinforced	S	S	S
Steel side-door beams	S	S	S
Traction Package – Electronic Traction Assist, cruise control, locking differential and front recovery hooks (2WD models only)	O	O	O

S – Standard. O – Optional. (Some options may be available only as part of a Preferred Equipment Group.) NA – Not available. 1 Always use safety belts and proper child restraints, even with air bags. Children are safer when properly secured in a rear seat. Front-seat side-impact air bags help reduce the risk of certain injuries to front-seat occupants in side impacts. See the Owner's Manual for more safety information. 2 One-year OnStar Safety and Security service contract standard on Suburban LT. Call 1-800-ONSTAR-7 for system limitations and details. 3 Included with the Convenience Package and Z71 Package only.

ENGINES

VORTEC 5300, 6000 AND 8100 V8 ENGINES

Technical Features of the Vortec V8 Engines:

- Deep-skirt block design
- Cast-aluminum cylinder heads for 5300 and 6000 V8 engines (new for 2001 on 6000 V8)
- Cast-iron cylinder heads for the 8100 V8 engine
- Six-bolt crankshaft main bearing caps for 5300 and 6000 V8 engines
- Durable valvetrain design
- Sequential Fuel Injection (SFI)
- Fully pressurized cooling system
- Direct ignition system
- Oil level sensor
- Oil life monitoring
- Coolant-loss protection
- Air filter replacement indicator
- Engine Hour Meter
- Low-maintenance features including long-life accessory drive belts, platinum-tip spark plugs, extended-life engine coolant and extended oil change intervals*

*Maintenance needs vary with different uses and driving conditions. See the Owner's Manual for more information.



CHEVY SUBURBAN

ENGINES,
TRANSMISSIONS

2001 CHEVROLET PRODUCT INFORMATION GUIDE

ENGINE SPECIFICATIONS	VORTEC 5300 V8	VORTEC 6000 V8	NEW VORTEC 8100 V8
RPO	LM7	LQ4	L18
Displacement (cu. in./liters)	325/5.3	365/6.0	496/8.1
Bore x Stroke (in.)	3.78 x 3.62	4.00 x 3.62	4.25 x 4.37
(mm)	96.0 x 92.0	101.6 x 92.0	108.0 x 111.0
Compression ratio	9.5:1	9.4:1	9.1:1
Cylinder block material	cast-iron	cast-iron	cast-iron
Cylinder head material	cast-aluminum	NEW cast-aluminum	cast-iron
Valvetrain configuration	OHV	OHV	OHV
Valves per cylinder	2	2	2
Induction system	SFI	SFI	SFI
Ignition	direct	direct	direct
Lifters	hydraulic roller	hydraulic roller	hydraulic roller
Cam drive	chain	chain	chain
Coolant capacity			
– Base (quarts/liters)	14.4/13.6 ¹	15.8/15.0 ¹	27.0/25.6
– LS and LT (quarts/liters)	16.8/15.9	16.8/15.9	29.0/27.4
Oil capacity (quarts/liters)	6.0/5.7	6.0/5.7	6.0/5.7
Alternator rating (amps)	130	130	130
Battery (SAE rating, cca)	600	600	600
Recommended unleaded fuel	87 octane	87 octane	87 octane
Maximum engine speed (RPM)	5900	5600	5000
Horsepower/kW (@ RPM)	285/212 @ 5200	300/224 @ 4000	340/253 @ 4200
Torque (lb.-ft./N-m @ RPM)	325/441 @ 4000	NEW 360/488 @ 4000	455/617 @ 3200

1 Figure shown for vehicle equipped with air conditioning.

TRANSMISSIONS

4-SPEED AUTOMATIC TRANSMISSIONS

Suburban 1500 models feature the 4L60-E electronically controlled 4-speed automatic transmission standard. The 4L80-E is standard for the 2500 Series.



Technical Features of the 4-Speed Automatic Transmission:

- Passive shift stabilization
- Tow/Haul mode
- Vamac oil pump seal
- Large transmission fluid pan with bottom drain plug
- Electronically controlled converter clutch
- Electronic line pressure scheduling software

- Two-piece case (4L60-E only)
- Wide range of gear ratios
- Precise and flexible electronic controls
- Second-gear start feature (4L60-E only)
- Brake/transmission shift interlock system
- Long-life transmission fluid (4L60-E only)

TRANSMISSION SPECIFICATIONS	1500	2500
Series	1500	2500
Type	4-speed auto.	4-speed auto.
RPO	M30 (4L60-E)	MT1 (4L80-E)
First gear	3.06	2.48
Second gear	1.63	1.48
Third gear	1.00	1.00
Fourth gear	0.70	0.75
Reverse gear	2.29	2.08
Fluid capacity (quarts/liters)	11.4/10.8	11.4/10.8
Case material	cast-aluminum	cast-aluminum
Converter size (in./mm)	11.8/300	12.2/310



CHEVY SUBURBAN

AXLES,
FOUR-WHEEL-DRIVE SYSTEM,
SUSPENSION

2001 CHEVROLET PRODUCT INFORMATION GUIDE

AXLES

The axles utilized for all Suburbans are computer-selected by GVWR and feature standard synthetic gear lubricant for the rear axle.

Technical Features of the Rear Axles:

- Semi-floating design is utilized for all models
- Hypoid ring-and-pinion gear design
- 2-pinion tapered roller bearings
- Differential drain plug
- Optional limited slip differential features a 13-plate carbon-fiber clutch pack
- Manufactured by American Axle

Technical Features of the 4x4 Front Axles:

- Semi-floating hypoid ring-and-pinion gear design
- 2-pinion tapered roller bearings
- Differential drain plug
- Manufactured by American Axle

FOUR-WHEEL-DRIVE SYSTEM

AUTOTRAC

The Autotrac four-wheel-drive system is standard on all Tahoe 4x4 models. Autotrac, when in AUTO 4WD, is capable of engaging four-wheel drive for maximum traction, without any input from the driver. Sometimes mistakenly labeled an all-wheel-drive system, Autotrac is more accurately defined as a standby four-wheel-drive system.

Technical Features of the Autotrac System:

- Autotrac provides 100 percent of the power to the rear wheels until conditions warrant a change to four-wheel drive
- An electronic control module is utilized to activate an electric motor that transfers torque to the front wheels, depending on the conditions
- Once traction is restored, as measured by driveshaft speeds, the system will restore to a standby mode
- In the case of multiple, large slip conditions, Autotrac will lock into 4-HI mode to protect the electric actuator motor. Once traction is restored, the system will restore itself to the standby mode.
- 4-LO can also be selected at the touch of a button for more demanding 4x4 situations, like steep grades, deep snow or mud. Vehicle must be at a complete stop to engage 4-LO.
- The transfer case utilizes a 1:1 ratio for 4-HI and 2.72:1 ratio for 4-LO
- The transfer case features a neutral function for towing situations

SUSPENSION

FRONT SUSPENSION

- Independent Short/Long Arm (SLA)
- Computer-selected torsion bars for all models
- Gas-pressurized 32mm shock absorbers
- Maintenance-free wheel bearings
- 32mm stabilizer bar for all models

REAR SUSPENSION

- Solid axle with five-link design and computer-selected coil springs for 1500 Series
- Solid axle with semi-elliptic, variable-rate, leaf springs for 2500 Series
- Gas-pressurized 32mm shock absorbers
- 30mm stabilizer bar for 1500 Series

SUSPENSION PACKAGES

- Autoride Suspension System
 - available on LS models equipped with the Vortec 8100 V8 engine and LT models
 - computer-controlled shock absorbers
 - shock absorber dampening is automatically adjusted in “real time”
 - rear, air-assisted load leveling is included on 1500 Series
- Premium Ride Suspension System
 - standard for 1500 LT and optional for the 1500 LS
 - rear self-leveling system
 - hydraulically controlled by vehicle ride motion with no pumps or electronic controls required
- Firm Ride Suspension System
 - standard for all 2500 models



CHEVY SUBURBAN

STEERING,
BRAKES,
WHEELS AND TIRES

2001 CHEVROLET PRODUCT INFORMATION GUIDE

STEERING

- Power recirculating ball for all models
- 1500 4x4 models feature speed-sensitive power assist

STEERING SPECIFICATIONS

	1500 (2WD)	1500 (4X4)	2500 (4X4)
Type (power)	recirculating ball 670 Series	recirculating ball speed-sensitive 670 Series	recirculating ball 708 Series
Ratio	14.2:1	14.2:1	16.4:1
Turning diameter (curb-to-curb ft./m)	42.3/12.9	42.3/12.9	44.3/13.5

BRAKES

- Power-assisted front and rear disc
- Standard 4-wheel ABS
- Ventilated rotors
- Dual-piston calipers
- Dynamic Rear Proportioning system is standard for all models
- Self-adjusting drum-in-hat parking brake system is designed to operate with the rear brakes and is standard for all models

BRAKE SPECIFICATIONS

Front Brakes	1500	2500
– rotor size (diam. x thick.)	12.01 x 1.14 in. 305 x 29mm	12.80 x 1.50 in. 325 x 38mm
– swept area	213.6 sq. in. 1378.1 sq. cm	245.5 sq. in. 1583.8 sq. cm

Rear Brakes	1500	2500
– rotor size (diam. x thick.)	13.00 x 1.18 in. 330 x 30mm	13.00 x 1.14 in. 330 x 29mm
– swept area	223.5 sq. in. 1440 sq. cm	223.5 sq. in. 1440 sq. cm



- 16-inch machined cast-aluminum wheel – standard for 1500 LS and LT



- 16-inch polished, forged-aluminum wheel – standard for 2500 LS and LT

(Image not available at time of printing)

- 17-inch cast-aluminum wheel – included with Z71 Package

WHEELS AND TIRES

WHEELS



- Standard 16-inch steel wheel, painted silver with chrome center cap and gold Chevy bowtie – standard on Base

TIRES

Suburban offers the following tires with availability depending on the model and suspension selected:

- P245/75R-16 all-season steel-belted radial blackwall tires (1500 Series)
- P245/75R-16 all-season steel-belted radial white outline-lettered tires (1500 Series)
- P265/70R-16 all-season steel-belted radial blackwall tires (1500 Series)
- P265/70R-16 all-season steel-belted radial white outline-lettered tires (1500 Series)
- P265/70R-17 on-/off-road steel-belted radial blackwall tires (1500 Series with Z71)
- LT245/75R-16 all-season steel-belted radial blackwall tires (2500 Series)
- LT245/75R-16 on-/off-road steel-belted radial blackwall tires (2500 Series)
- All models feature full-size spare tire and wheel

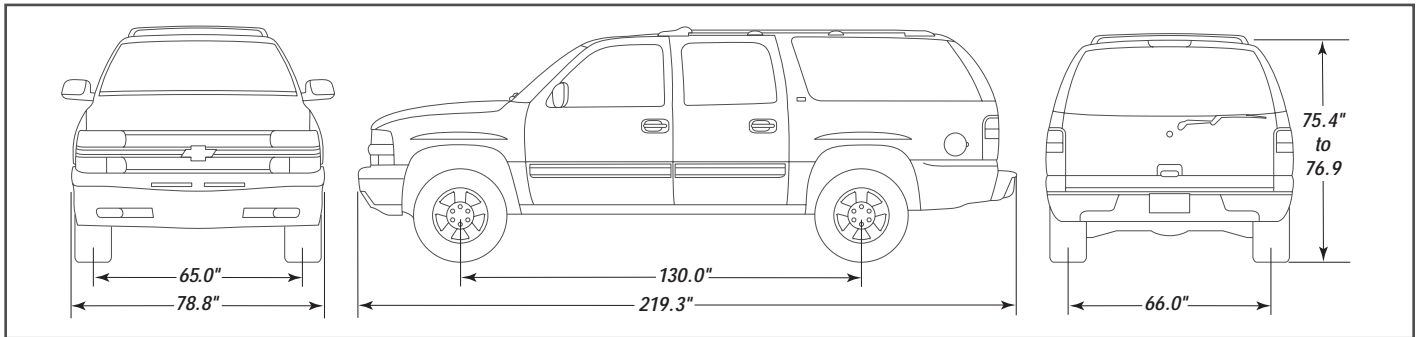


CHEVY SUBURBAN

WHEELS AND TIRES,
DIMENSIONS

2001 CHEVROLET PRODUCT INFORMATION GUIDE

DIMENSIONS



NOTE: All dimensions shown are inches/millimeters unless otherwise noted.

EXTERIOR	1500	2500
Wheelbase	130.0/3302	130.0/3302
Length	219.3/5570	219.3/5570
Height with luggage carrier		
– 2WD	75.5/1918	76.4/1940
– 4x4	75.4/1915	76.9/1951
Width		
– 2WD	78.8/2001	79.8/2027
– 4x4	78.8/2001	79.8/2027
Tread width		
– front	65.0/1651	65.0/1651
– rear	66.0/1676	66.0/1676
Bumper to front axle	37.0/939	37.0/939
Rear overhang	52.3/1327	52.3/1327
Ground to rear load floor		
– 2WD	31.2/792	32.5/825
– 4x4	31.0/787	33.1/840

CLEARANCES	1500	2500
Ground clearance (min.)		
– 2WD, front	9.8/248	8.4/213
– 2WD, rear	8.4/213	7.0/177
– 4x4, front	9.8/248	8.4/213
– 4x4, rear	8.4/213	7.0/177

INTERIOR	FRONT	MIDDLE	REAR
Headroom	40.7/1033	39.0/990	38.6/980
Legroom	41.3/1049	39.1/994	36.1/917
Shoulder room	65.2/1657	65.1/1653	64.8/1647
Hip room	61.4/1560	61.6/1564	49.2/1248

CARGO AREA	1500	2500
Cargo volume		
– At front seat (cu. ft./liters)	138.4/3919	138.4/3919
– At middle seat (cu. ft./liters)	90.0/2548	90.0/2548
– At rear seat (cu. ft./liters)	45.7/1294	45.7/1294
Load floor length		
– At front seat	104.6/2656	104.6/2656
– At middle seat	69.6/1767	69.6/1767
– At rear seat	36.1/916	36.1/916
Cargo width at floor	63.0/1600	63.0/1600
Width between wheelhousings	49.1/1247	49.1/1247



CHEVY SUBURBAN

CAPACITIES AND WEIGHTS,
TRAILERING,
TECHNICAL PRODUCT INFORMATION

2001 CHEVROLET PRODUCT INFORMATION GUIDE

CAPACITIES AND WEIGHTS

	1500	2500
Seating	3/6/7/8/9	3/6/7/8/9
Fuel tank, approx. (gal./liters)	33.0/124	39.0/147
GVWR, standard (lbs./kg)		
– 2WD	7000/3175	8600/3901
– 4x4	7200/3265	8600/3901
Payload, base (lbs./kg)		
– 2WD	2086/947	3153/1430
– 4x4	2077/942	2840/1288
Curb weights, estimated (lbs./kg)		
– 2WD	4914/2228	5447/2470
– 4x4	5123/2323	5760/2612

TRAILERING¹

MAXIMUM TRAILER WEIGHT RATINGS (lbs./kg)	VORTEC 5300	VORTEC 6000	VORTEC 8100
1500 2WD	8800/3992	–	–
1500 4x4	8600/3901	–	–
2500 2WD	–	10,300/4672	12,000/5443
2500 4x4	–	10,000/4536	12,000/5443

¹ Properly equipped. Maximum trailer weight is calculated by assuming only the driver is in the tow vehicle. Optional equipment, passengers or cargo will reduce the trailer weight rating. See the Chevrolet Trailering Guide, or contact Chevrolet Media Relations for specific ratings or additional details.

RECREATIONAL TOWING

Recreational towing, sometimes known as flat towing or dinghy towing, is the practice of towing a vehicle behind another vehicle where the vehicle in tow is on all four wheels. This is a common practice of motor home/recreational vacationers where a smaller vehicle is towed behind the motor home or coach to be used once the vacation spot is reached.

Recreational towing is not to be confused with dolly towing. Dolly towing is the practice of placing one or both of the vehicle's axles on a dolly.

Recreational towing highlights and restrictions for the Suburban:

- 4x4 models only
- Transfer case must be properly placed in Neutral, the ignition in the OFF position and the ignition fuse removed
- There are no distance or towing speed restrictions

NOTE: It is the responsibility of the owner to properly equip the towing and towed vehicles for recreational towing. See the Owner's Manual for restrictions and more information.

TECHNICAL PRODUCT INFORMATION

VEHICLE CLASSIFICATION

- Full-size utility

ASSEMBLY PLANT LOCATIONS

- Janesville, Wisconsin
- Silao, Mexico

FRAME

- All-welded ladder-type
- Three-piece modular design with hydroformed front and rear rails

FRAME SPECIFICATIONS

	1500	2500
Section modulus (cu. in.)	3.16	4.24
Resistance to bending moment (RBM, lb./in.)	104,000	140,000

CHASSIS LAYOUT

- Front engine, rear-wheel drive
- Front engine, four-wheel drive

BODY MATERIAL

- Two-sided galvanized steel (except roof)



CHEVY SUBURBAN

SUBURBAN HISTORY,
AFFINITY RELATIONSHIPS,
ONSTAR

2001 CHEVROLET PRODUCT INFORMATION GUIDE

SUBURBAN HISTORY

- 1935 – Suburban introduced to the public.
- 1937 – New sheet metal and shock absorbers made standard.
- 1941 – New body style.
- 1948 – Redesigned Suburban unveiled.
- 1955 – New sheet metal and new V8 engine.
- 1973 – All-new Suburban introduced, offering the first 4-door model.
- 1982 – 6.2L diesel engine is released.
- 1987 – Throttle-Body Fuel Injection System (TBI) is released for V8 gasoline engines.
- 1990 – Rear-wheel ABS and two-sided galvanized steel introduced.
- 1992 – Next Generation Suburban introduced. Styling is shared with the current C/K Pickup. New features included 4-wheel ABS, Insta-Trac 4x4 system and revised suspension.
- 1993 – 4L60-E electronically controlled 4-speed automatic transmission released.
- 1994 – The 6.5L Turbo-Diesel V8 engine is introduced.
- 1995 – Driver-side air bag added for models less than 8,600 lbs. GVWR. Interior redesigned.
- 1996 – Daytime Running Lamps added. Vortec 5700 and 7400 V8 engines debut.
- 1997 – Passenger-side air bag added for models less than 8,600 lbs. GVWR. EVO speed-sensitive steering released.
- 1998 – Next Generation air bags and PASSlock® theft-deterrent system released. Autotrac 4x4 system made available.
- 2000 – All-new Suburban introduced.

AFFINITY RELATIONSHIPS

- Barrier Breakers
- Bass Anglers Sportsman Society (B.A.S.S.)
- Bass Pro Shops
- Deer Valley Resort
- Ducks Unlimited
- East Coast Fisherman
- Greg Norman and the Shark Shootout
- Jackson Hole
- Mad River Canoe
- National Cutting Horse Association (NCHA)
- National Future Farmers of America (FFA) Organization
- Operation Bass
- Opryland USA
- Outdoor Connection (Chevy Truck Bass Pro Staff)
- Quail Unlimited
- Ranger Boats
- SkiView (Chevy Truck Ski Carnivals)
- Tel-Ski (Telluride, Colorado)
- Texas Parks and Wildlife Foundation
- TNN Outdoors
- U.S. Ski Team
- Vail Associates

ONSTAR

OnStar combines a unique blend of cutting-edge technology and attentive personal service to provide an unparalleled level of safety, security and information services. At the touch of a button, the helpful OnStar Advisors can contact emergency assistance 24 hours a day, every day.

The OnStar Safety and Security Plan includes the following services:

- Automatic notification of air bag deployment – in the event of an accident in which the front air bags deploy, an OnStar Advisor will attempt to contact the driver of the vehicle to inquire if assistance is required. Even if the driver is unable to answer the call, OnStar will contact emergency assistance and provide them with the exact location of the vehicle.
- Emergency services – with a press of the red OnStar Emergency Button, an Advisor can contact the emergency service provider nearest to the vehicle location.
- OnStar MED-NET – stores the personal medical history of the OnStar subscriber. By being provided the proper MED-NET identification number, the OnStar Advisor would be able to provide emergency personnel the blood type, allergies, medications and even the physician of the OnStar subscriber.
- Roadside assistance – OnStar Advisors can dispatch the nearest provider to a vehicle disabled by a flat tire or empty fuel tank.
- Stolen vehicle tracking – once notified, OnStar can track a stolen vehicle and put the subscriber in touch with the proper authorities.
- AccidentAssist – by working with leading insurance agencies, OnStar can provide the subscriber access to step-by-step guidance to the proper procedures after having an accident.
- Remote door unlock – an OnStar Advisor can electronically unlock a vehicle when provided the proper personal identification number. This system also allows an advisor to honk the horn and flash the lights should an owner forget where they are parked.
- Remote diagnostics – this system covers the vital vehicle systems. Should a “Check Engine” warning light illuminate, the subscriber can contact OnStar and receive assistance with diagnosing the problem, recommendations for solving the problem and even have the service appointment scheduled at the dealer.
- Hands-free communication – simply press the OnStar button and talk. A microphone picks up the voice of the driver and the OnStar Advisor returns the communication through the sound system speakers.



CHEVY SUBURBAN

CHEVROLET OWNER
PROTECTION PROGRAMS

2001 CHEVROLET PRODUCT INFORMATION GUIDE

CHEVROLET OWNER PROTECTION PROGRAMS

Owners of Chevrolet cars are covered by a comprehensive owner protection plan that includes the following:

NEW VEHICLE LIMITED WARRANTY

The New Vehicle Limited Warranty is for GM vehicles registered in the United States. A Chevrolet dealer should be consulted for complete terms and conditions of this warranty program.

Items Covered for Three Years or 36,000 Miles* for Manufacturer's Defects Include:

- The complete vehicle
- Tires
- Towing to the nearest Chevrolet dealership
- Cosmetic corrosion resulting from defects
- Rust-through corrosion coverage†
- Repairs made to correct any vehicle defect
- No charge for most warranty repairs

*Whichever comes first. †Six years or 100,000 miles, whichever comes first.

COURTESY TRANSPORTATION

Customers purchasing or leasing a 2001 Chevrolet car or truck are eligible for Courtesy Transportation (at no charge) when their vehicle is left at a participating dealership for repairs covered under the New Vehicle Limited Warranty. Courtesy Transportation, at participating dealerships only, may include shuttle service, expense reimbursement or, if the repairs require leaving the vehicle overnight, alternate transportation. Actual services may vary at the election of the participating dealer. A local Chevrolet dealer should be consulted for more details.

ROADSIDE ASSISTANCE*

Roadside Assistance service is provided to Chevrolet owners through a toll-free number, 24 hours a day, 365 days a year. Roadside Assistance advisors can assist with minor mechanical problems over the phone or coordinate a variety of services through professional service providers. A local Chevrolet dealer should be consulted for more details.

The Basic Care Package Provides the Following Services:

- Toll-free access: 1-800-CHEV-USA
- Free towing to closest dealer for warranty repairs
- Basic over-the-phone technical advice
- Dealer services at reasonable costs (i.e., wrecker services, locksmith/key service, glass repair, etc.)

The Courtesy Care Package Applies for Three Years/36,000 Miles† and Provides:

- Basic Care services
- Free locksmith/key service (when keys are lost on the road or locked inside)
- Free flat tire change service
- Free fuel delivery
- Free non-warranty towing
- Free jump-start

*Roadside Assistance membership is free. **Some services may incur costs.**

Courtesy Care is available to retail, retail lease and corporate lease customers operating 1994 and newer Chevrolet vehicles for a period of 3 years/36,000 miles (whichever comes first). All Courtesy Care services and associated costs must be prearranged by Chevrolet Roadside Assistance or dealer service management and must be driver-initiated. Basic Care and Courtesy Care are not part of or included in the coverage provided by the New Vehicle Limited Warranty. Chevrolet reserves the right to modify or discontinue Basic Care and Courtesy Care at any time. Owners should see their dealer for complete details of the Chevrolet Roadside Assistance Program.

†Whichever comes first.